

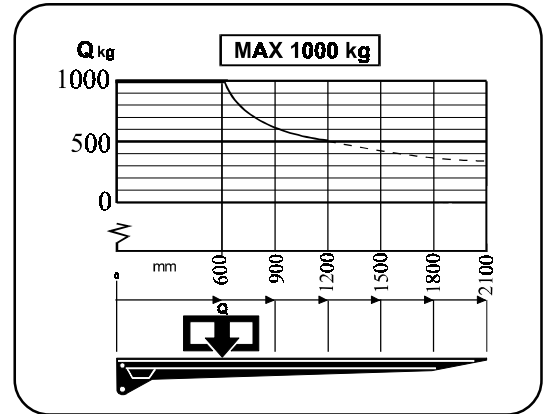
RZ-10-130

TECHNICAL DATA:

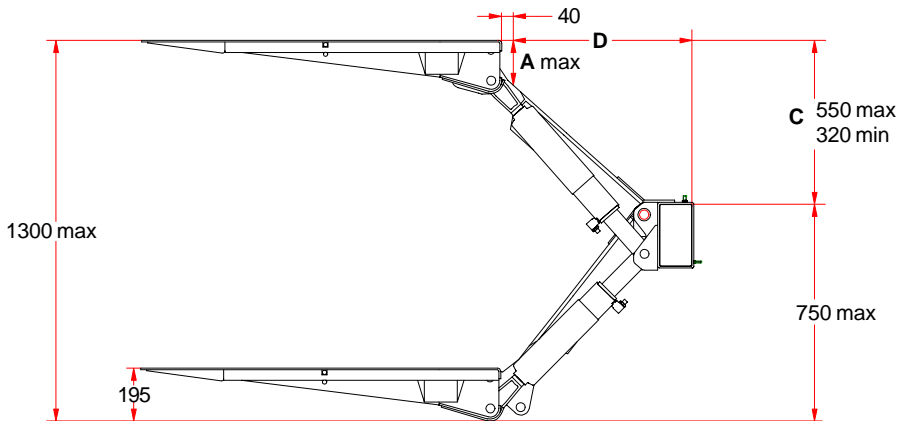
Max Power Consumption

	12 volt	24 volt
Motor	220 A	105 A
Lowering valve	6,4 A	2,4 A
Shift valve	6,4 A	2,4 A
Solenoid	1,5 A	0,9 A
Wire cross-sections:		
Control current	1,5 mm ²	1,5 mm ²
Battery cable	35 mm ²	35 mm ²
Minimum battery capacity 160 Ah		

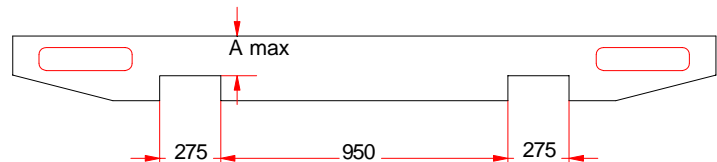
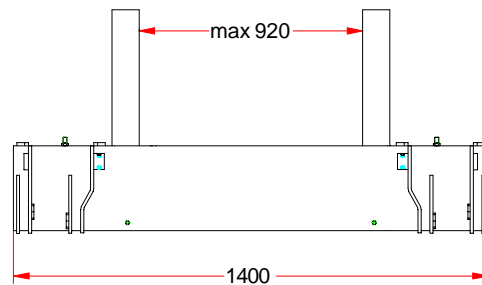
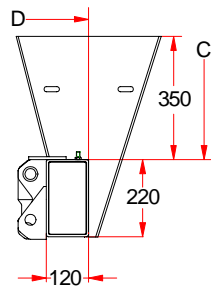
LOADING DIAGRAM



Installation dimensions



A	C	D
149	550	596
134	500	644
122	450	685
110	400	718
100	350	747
95	320	762



ZEPRO
Z-LYFTEN PRODUKTION AB

ZEPRO Sales Tel:- +46 150 489 550

Fax:- +46 150 489 551, +46 150 489 566

E-mail:- info@z-lyften.se, Internet:- www.z-lyften.se, www.zepro.com

