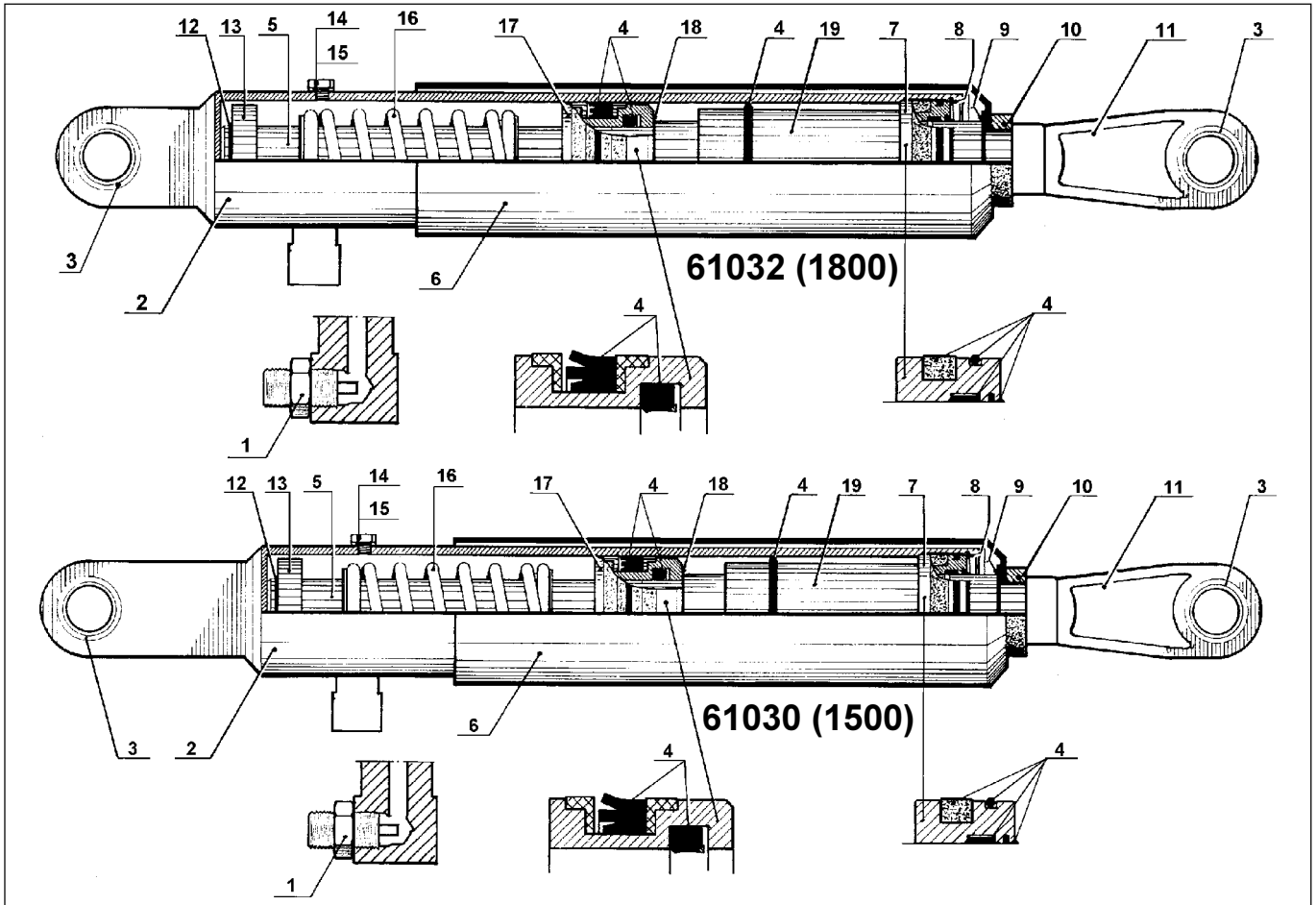


# Vippcyylinder, Tilt cylinder, Kippzylinder 61030 (1500), 61032 (1800)



Ø 70 mm	61030 (1500)	61032 (1800)	Vippcyylinder T = Tvåhastighets cylinder	Tilt cylinder T = Two speed cylinder	Kippzylinder T = 2 Geschwindigkeit zylinder	Pos
Pos	Art no.	Art no.	Benämning	Description	Benennung	Pos
.....	61030 ...	.....	Vippcyylinder 1500 .....	Tiltcyylinder 1500 .....	Kippzylinder 1500 .....	.....
.....	.....	61032 ...	Vippcyylinder 1800 .....	Tiltcyylinder 1800 .....	Kippzylinder 1800 .....	.....
1 ...	31132 ...	31132 ...	Slangbrottsventil .....	Safety valve .....	Schlauchbruchsicherung .....	1 ...
2 ...	62899 ...	63125 ...	Cylinderrör kpl. ....	Cylinder case .....	Zylinderrohr .....	2 ...
3 ...	31194 ...	31194 ...	Länklager .....	Clevis bearing .....	Gelenklager .....	3 ...
4 ...	31276 ...	31276 ...	Packningssats .....	Gasket set .....	Dichtungssatz .....	4 ...
5 ...	20258 ...	20450 ...	Kolvstäng .....	Piston rod .....	Kolbenstange .....	5 ...
6 ...	20390 ...	20390 ...	Cylinderskydd .....	Protective case .....	Schutzrohr .....	6 ...
7 ...	61155 ...	61155 ...	Cylinderlock .....	Cover .....	Abschlussdeckel .....	7 ...
8 ...	31200 ...	31200 ...	Låsring .....	Snapping .....	Seeger-ring .....	8 ...
9 ...	21007 ...	21007 ...	Bricka .....	Washer .....	Scheibe .....	9 ...
10 ...	20261 ...	20261 ...	Stödkrage .....	Support collar .....	Distanzbüchse .....	10 ...
11 ...	20391 ...	20391 ...	Fästöra inkl. länklager .....	Clevis incl. clevis bearing .....	Gelenklager-Büchse .....	11 ...
12 ...	31199 ...	31734 ...	Låsring .....	Snapping .....	Seeger-ring .....	12 ...
13 ...	62895 ...	63123 ...	Stoppring .....	Limit stop .....	Distanz ring .....	13 ...
14 ...	31321 ...	31321 ...	Luftskruv .....	Air screw .....	Schraube .....	14 ...
15 ...	31322 ...	31322 ...	Bricka .....	Washer .....	Scheibe .....	15 ...
16 ...	31202 ...	31324 ...	Fjäder med styrning .....	Spring with guide .....	Feder mit Führung .....	16 ...
17 ...	61808 ...	61808 ...	Kolv .....	Piston .....	Kolben .....	17 ...
18 ...	31198 ...	31198 ...	Stödring .....	Support ring .....	Distanz ring .....	18 ...
19 ...	62896 ...	62897 ...	Distansrör .....	Spacer .....	Distanzrohr .....	19 ...