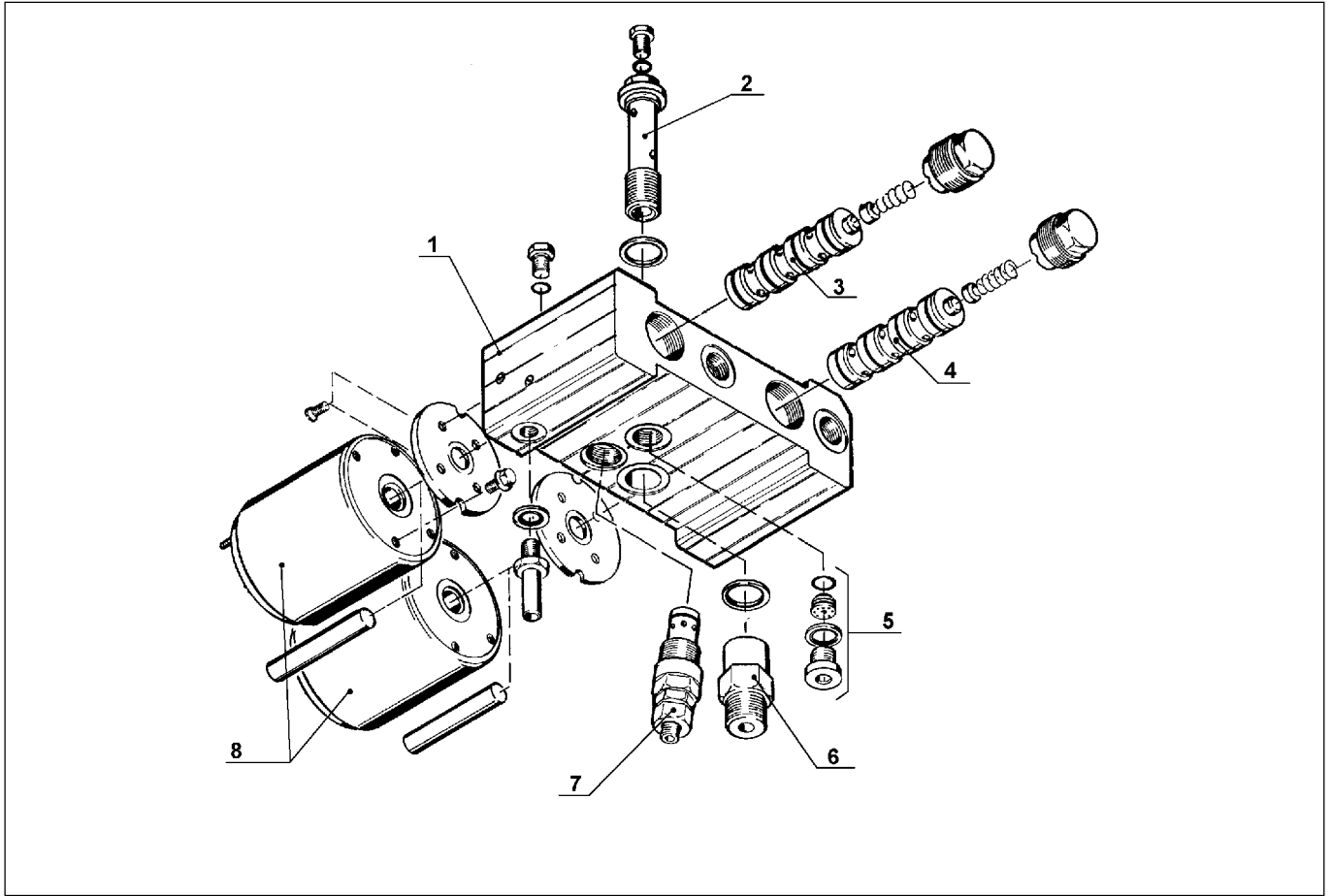


# Ventil system, Valve system, Ventil system



|       |           | VENTILSYSTEM               | VALVE SYSTEM          | VENTILSYSTEM              |       |
|-------|-----------|----------------------------|-----------------------|---------------------------|-------|
| Pos   | Art no.   | Benämning                  | Description           | Benennung                 | Pos   |
| 1 ... | 31528 ... | Hydraulventil .....        | Hydraulic valve ..... | Hydraulik ventil .....    | 1 ... |
| 2 ... | 31119 ... | Hålskriv kpl. ....         | Swivel joint .....    | Lochskruva .....          | 2 ... |
| 3 ... | 31530 ... | Sänkventil .....           | Lowering valve .....  | Senkventil .....          | 3 ... |
| 4 ... | 31529 ... | Skiftventil .....          | Shift valve .....     | Wechselventil .....       | 4 ... |
| 5 ... | 31533 ... | Backventil .....           | Clack valve .....     | Rückflußbremsventil ..... | 5 ... |
| 6 ... | 31531 ... | Pumpanslutning .....       | Pump connection ..... | Pumpe ansluß .....        | 6 ... |
| 7 ... | 31532 ... | Överströmningsventil ..... | Overflow valve .....  | Umgehungsventil .....     | 7 ... |
| 8 ... | 20670 ... | Magnet 12 Volt .....       | Magnet 12 Volt .....  | Magnet 12 Volt .....      | 8 ... |
| 8 ... | 20671 ... | Magnet 24 Volt .....       | Magnet 24 Volt .....  | Magnet 24 Volt .....      | 8 ... |