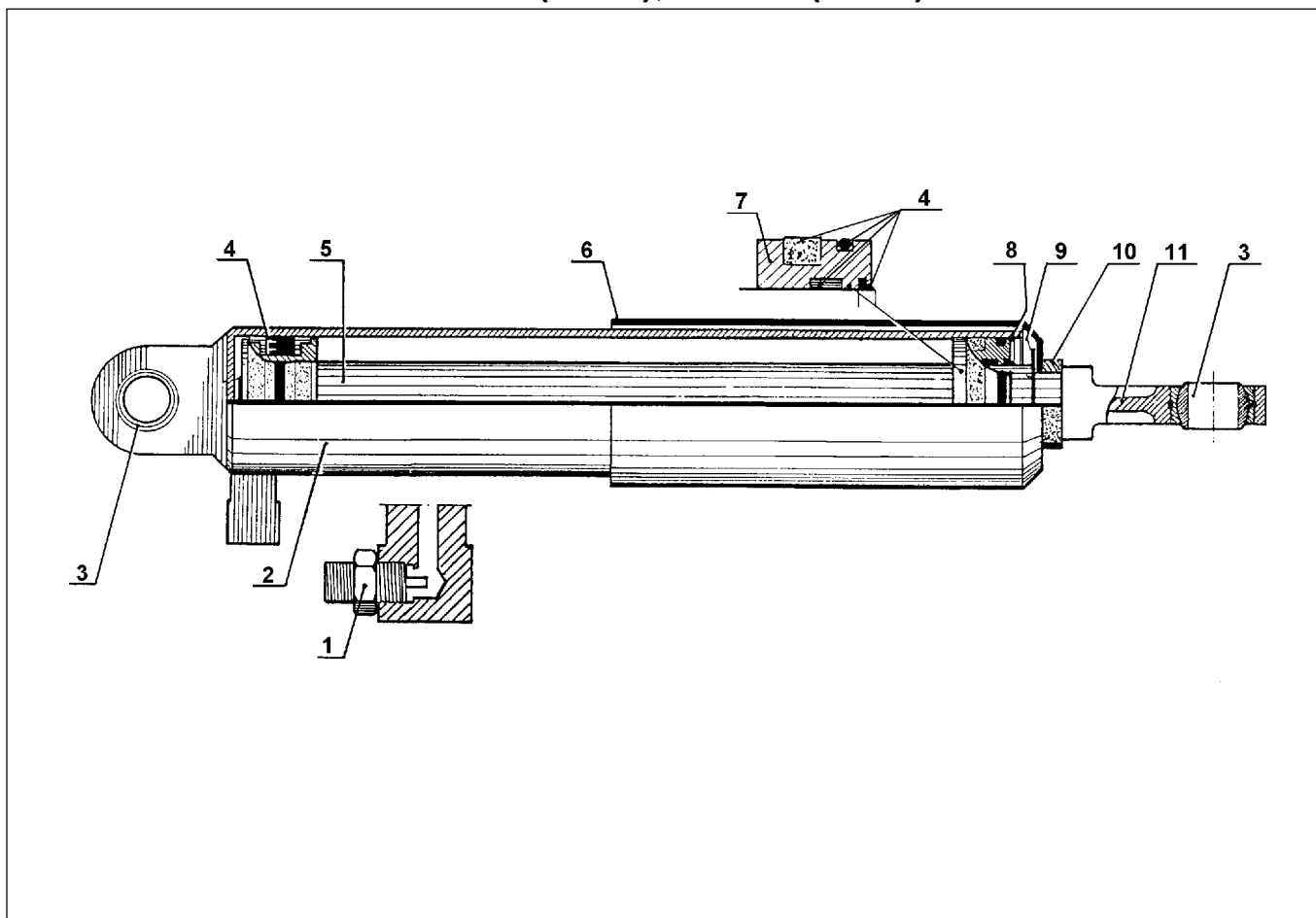


# Lyftcylinder, Lift cylinder, Hubzylinder 61263 (3200), 66918 (3700)



Ø 80 mm	61263 (3200)	66918 (3700)	Lyftcylinder S = Enkelverkande	Lift cylinder S = Single acting	Hubzylinder S = Einfachwirkende	
Pos	Art no.	Art no.	Benämning	Description	Benennung	Pos
.....	61263 ...	.....	Lyftcylinder 3200 .....	Lift cylinder 3200 .....	Hubzylinder 3200 .....	.....
.....	.....	66918 ...	Lyftcylinder 3700 .....	Lift cylinder 3700 .....	Hubzylinder 3700 .....	.....
1 ...	31132 ...	31132 ...	Slangbrottsventil .....	Safety valve .....	Schlauchbruchsicherung .....	1 ...
2 ...	61258 ...	66919 ...	Cylinderrör kpl. ....	Cylinder case .....	Zylinderrohr .....	2 ...
3 ...	31194 ...	31194 ...	Länklager .....	Clevis bearing .....	Gelenklager .....	3 ...
4 ...	31393 ...	31393 ...	Packningssats .....	Gasket set .....	Dichtungssatz .....	4 ...
5 ...	31766 ...	31766 ...	Kolvstång med kolv .....	Piston rod with piston .....	Kolbenstange mit Kolben .....	5 ...
6 ...	64644 ...	64644 ...	Cylinderskydd .....	Protective case .....	Schutzrohr .....	6 ...
7 ...	61261 ...	61261 ...	Cylinderlock .....	Cover .....	Abschlussdeckel .....	7 ...
8 ...	31388 ...	31388 ...	Låsring .....	Snapring .....	Seeger-ring .....	8 ...
9 ...	21007 ...	21007 ...	Bricka .....	Washer .....	Scheibe .....	9 ...
10 .	20261 ...	20261 ...	Stödkrage .....	Support collar .....	Distanzbüchse .....	10 .
11 .	20391 ...	20391 ...	Fästöra inkl. länklager .....	Clevis incl. clevis bearing .....	Gelenklager-Büchse .....	11 .