

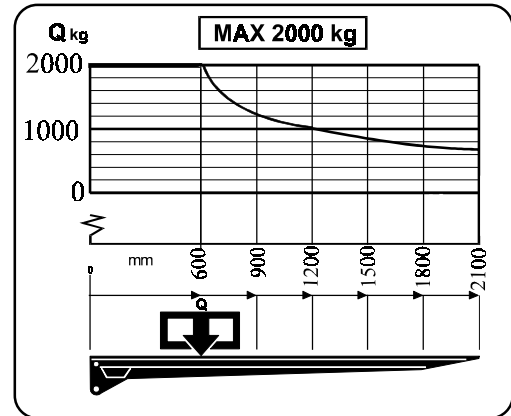
RZ-20-152

TECHNICAL DATA:

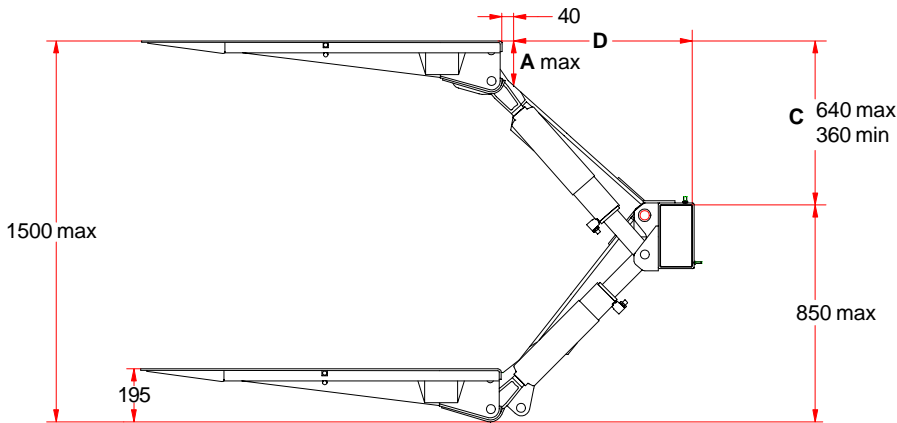
Max Power Consumption

	12 volt	24 volt
Motor	260 A	125 A
Lowering valve	6,4 A	2,4 A
Shift valve	6,4 A	2,4 A
Solenoid	1,5 A	0,9 A
Wire cross-sections:		
Control current	1,5 mm ²	1,5 mm ²
Battery cable	35 mm ²	35 mm ²
Minimum battery capacity 160 Ah		

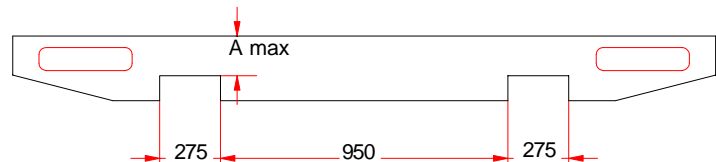
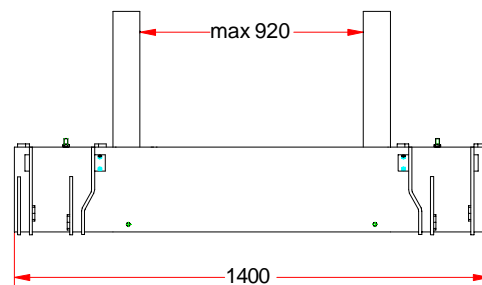
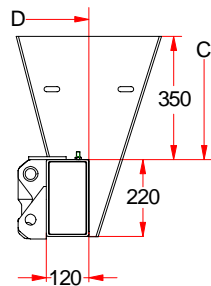
LOADING DIAGRAM



Installation dimensions



A	C	D
147	640	675
140	600	716
130	550	760
120	500	797
109	450	830
101	400	858
94	360	877



ZEPRO
Z-LYFTEN PRODUKTION AB

ZEPRO Sales Tel:- +46 150 489 550

Fax:- +46 150 489 551, +46 150 489 566

E-mail:- info@z-lyften.se, Internet:- www.z-lyften.se, www.zepro.com

