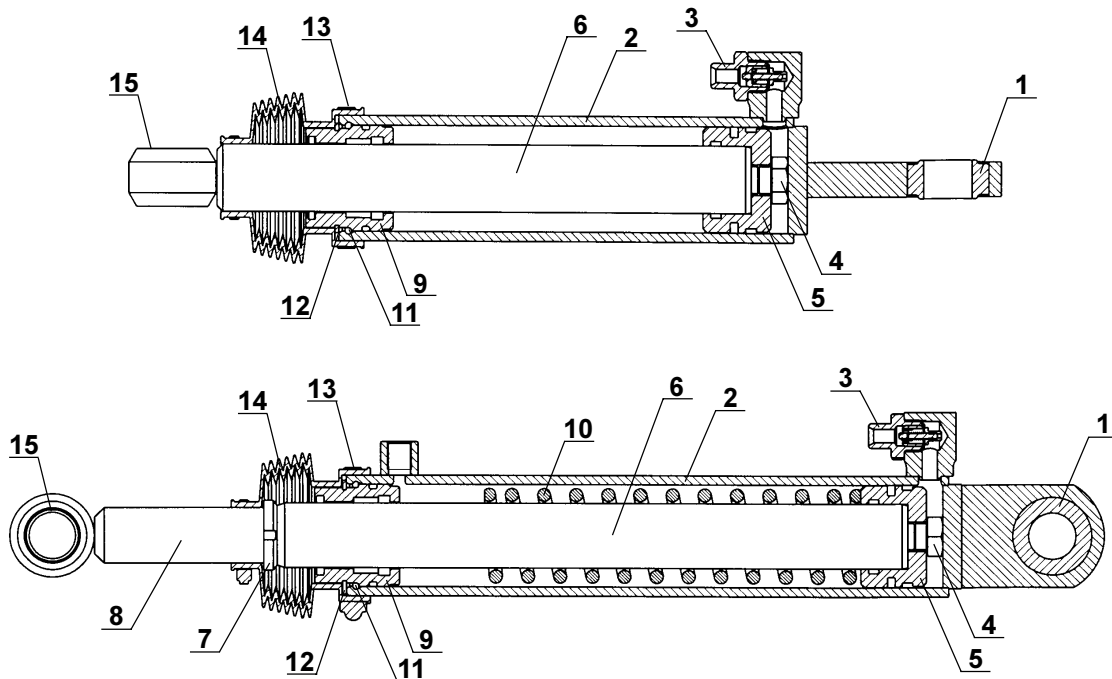


# Cylinder, Cylinder, Zylinder 50554, 50555, 50565, 69223

Fr.o.m prodnr: 114227  
From prodno: 114227  
Ab prodnr: 114227



Ø 55 mm	50554 50555	50565	69223	Cylinder S = Enkelverkande	Cylinder S = Single acting	Zylinder S = Einfachwirkende	
Pos	Art no.	Art no.	Art no.	Benämning	Description	Benennung	Qty.
.....	50554 ...	.....	.....	Lyftcylinder höger .....	Lift cylinder right .....	Hubzylinder recht .....	.....
.....	50555 .....	.....	.....	Lyftcylinder vänster .....	Lift cylinder left .....	Hubzylinder links .....	.....
.....	.....	50565 .....	.....	Vippcylinder för lyfthöjd 1100mm .....	Tilt cylinder for lifting height 1100mm .....	Kippzylinder für Hubhöhe 1100 mm .....	.....
.....	.....	.....	69223 .....	Vippcylinder för lyfthöjd 900mm .....	Tilt cylinder for lifting height 900mm .....	Kippzylinder für Hubhöhe 900mm .....	.....
1 ...	31475 ...	31475 ...	31475 ...	Länklager .....	Clevis bearing .....	Lager .....	1 ...
2 ...	50549 ...	.....	.....	Cylinderrör höger .....	Cylinder case right .....	Zylinderrohr recht .....	1 ...
2 ...	50550 ...	.....	.....	Cylinderrör vänster .....	Cylinder case left .....	Zylinderrohr links .....	1 ...
2 ...	.....	50557 .....	69222 .....	Cylinderrör .....	Cylinder case .....	Zylinderrohr .....	1 ...
3 ...	31132 ...	31132 ...	31132 ...	Slangbrottsventil .....	Safety valve .....	Sicherheitsventil .....	1 ...
4 ...	31473 ...	31473 ...	31473 ...	Bult .....	Bolt .....	Bolzen .....	1 ...
5 ...	66927 ...	66927 ...	66927 ...	Kolv .....	Piston .....	Kolben .....	1 ...
6 ...	66934 ...	66928 .....	66928 .....	Kolvstång .....	Piston rod .....	Kolbenstange .....	1 ...
7 ...	.....	31480 ...	31480 ...	Axelmutter .....	Nut for axle .....	Kontermutter .....	1 ...
8 ...	.....	62793 ...	63323 ...	Tryckstång .....	Push rod .....	Schraubkopf .....	1 ...
9 ...	66926 ...	66926 ...	66926 ...	Cylinderlock .....	Cylindercover .....	Abschlußdeckel .....	1 ...
10 ..	.....	50744 .....	50744 .....	Fjäder .....	Spring .....	Feder .....	1 ...
11 ..	31482 ...	31482 ...	31482 ...	Låsring .....	Snap ring .....	Seeger-ring .....	1 ...
12 ..	31479 ...	31479 ...	31479 ...	Låsring .....	Snap ring .....	Seeger-ring .....	1 ...
13 ..	21321 ...	21321 ...	21321 ...	Klammer .....	Clamp .....	Klammer .....	1 ...
14 ..	21146 ...	21146 ...	21146 ...	Damask .....	Bellows .....	Faltmanschette .....	1 ...
15 ..	31474 ...	31474 ...	31474 ...	Bussning .....	Bushing .....	Büchse .....	1 ...
.....	31817 ...	31817 ...	31817 ...	Packningsats .....	Gasket set .....	Dichtungssatz .....	1 ...