

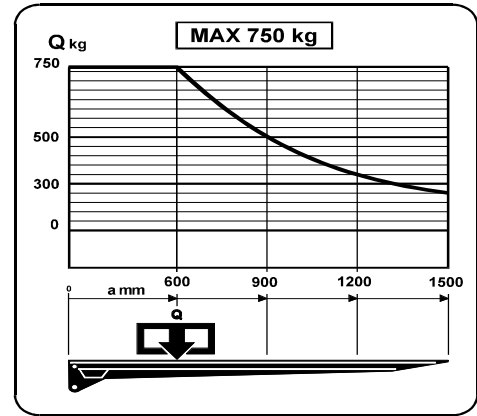
# RZ-75-110

## TECHNICAL DATA:

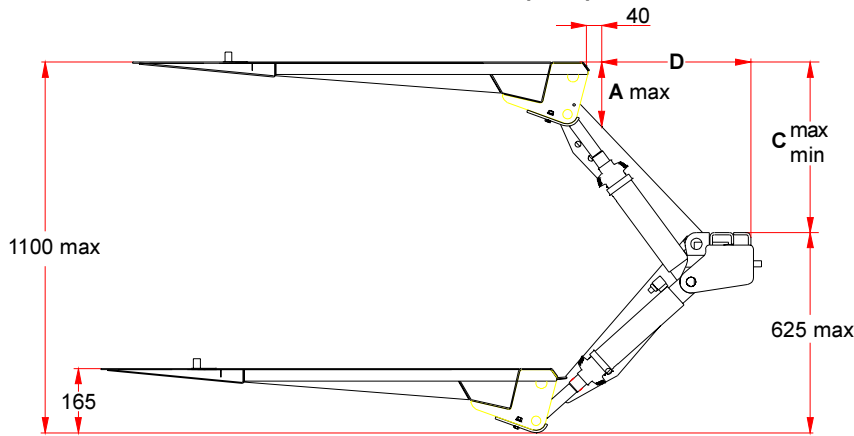
### MAX POWER CONSUMPTION

	12 volt	24 volt
Pump unit	140 A	70 A
Lowering valve	3,8 A	2,0 A
Dir. control valve	3,8 A	2,0 A
Motor contactor	1,5 A	0,9 A
Cable sizes:		
remote controls	1,5 mm <sup>2</sup>	1,5 mm <sup>2</sup>
main line	35 mm <sup>2</sup>	35 mm <sup>2</sup>
<b>Minimum battery capacity 120 Ah</b>		

### LOADING DIAGRAM

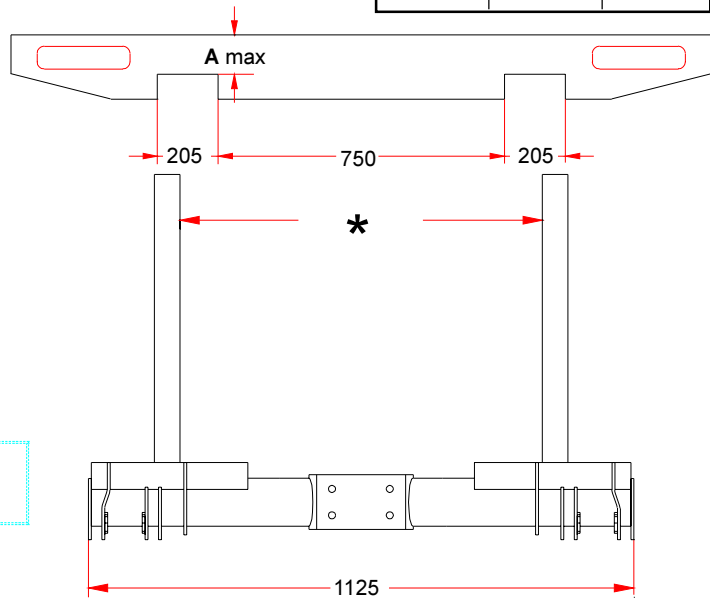
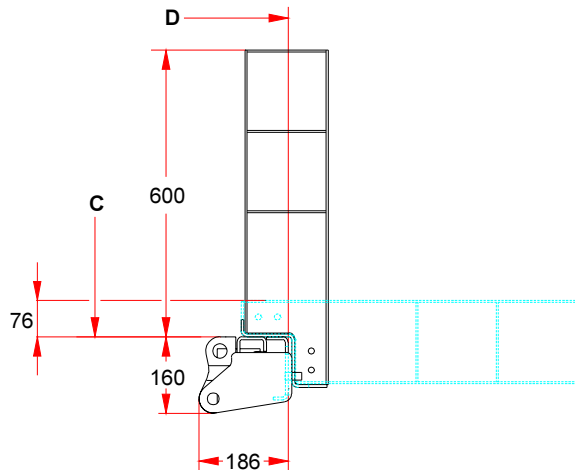


### DIMENSIONS FOR INSTALLATION (MM)



A	C	D
176	550	441
150	500	505
133	450	555
119	400	597
109	350	630
101	300	658
92	250	680

\* With standard cantilevers  
 Vertical 560-1000  
 Horizontal 660-1020



**ZEPRO**  
 Z-LYFTEN PRODUKTION AB

ZEPRO Sales Tel:- +46 150 489 550

Fax:- +46 150 489 551, +46 150 489 566

E-mail:- info@z-lyften.se, Internet:- www.z-lyften.se, www.zepro.com

